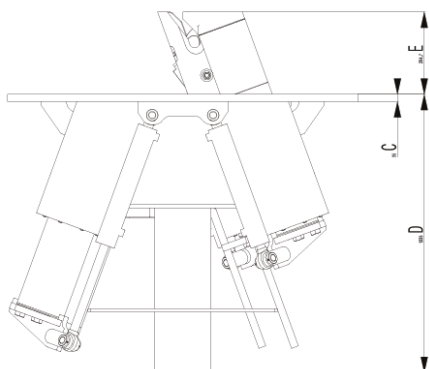
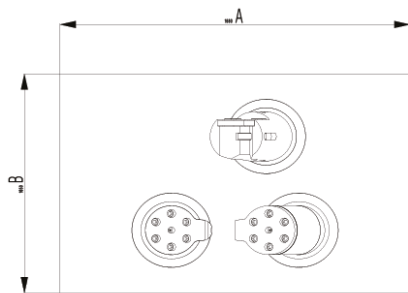
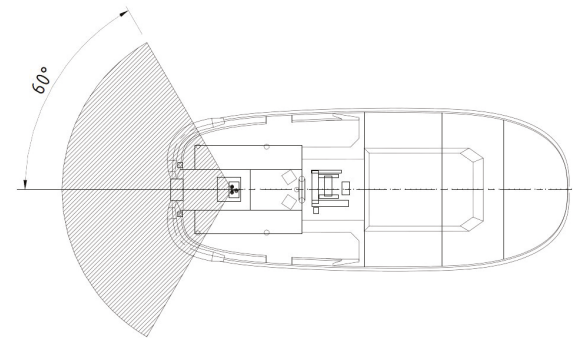
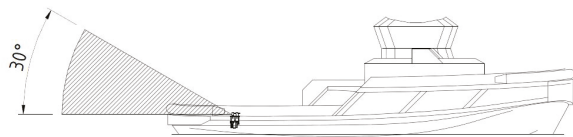
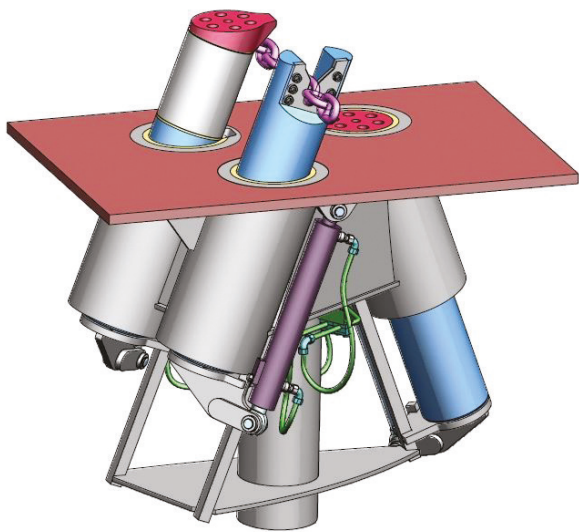


Kooiman Delta Pins combination with the wire catcher/chain stopper creates a safe working environment aboard anchor handling vessels. Both the pins and the wire catcher are hydraulically retractable into the deck. Positioned on the centreline of the ship the direction of horizontal pull is 60° to either side of the ship. In vertical direction the max. Angle of pull is 30° . The Delta Pins have a LR Design Appraisal.

KOOIMAN DELTA PINS

SPECIFICATION SHEET

DELTA PINS SPECIFICATION SHEET



The wire catcher is equipped with an automatic release hook. The hook is closed by gravity and released when retracted into the deck. The release system is simple and robust. The number of parts is reduced to only the hook and its shaft. By means of a choking plate the chain link stays in position and is released by retracting the chain stopper into the deck. The same exchangeable choking plate is used for chain, as well as for wire. The Delta Pins unit is equipped with a stored power provision for emergency release.

To protect the Delta Pins from wear and tear from running lines or chains, they are fitted with rotating sleeves. These are made of hardened steel and provided with rugged synthetic bearings.

The Delta Pins are designed conform LRS specifications, based on the breaking strength (design load) of the rope to be used. All have Lloyds Register Marine Appraisal. With a Safety Factor of 2.5 this results in a SWL of 50 tons (design load 125) up to 150 tons (design load 375) for the respective types.

High tensile steel is used for all load bearing parts in the construction, the base pins are made of high grade stainless steel. The construction is fitted with non corroding, synthetic bearings and seals, ensuring durability and ruggedness. Delivery includes wheelhouse controls and an automatic grease pump for water-tightness and lubrication.

A simple and clean design resulting in a safe working environment aboard every anchor handling vessel. Different executions can be developed on client's request.

DELTA PINS	DP50T	DP100T	DP150T
SWL	50 tons	100 tons	150 tons
Design load	125 tons (LR)	250 tons (LR)	375 tons (LR)
Max. wire diameter	48 mm	64 mm	74 mm
Max. chain diameter	26 mm	34 mm	40 mm
Width (A)	1680 mm	2000 mm	2300 mm
Length (B)	1050 mm	1300 mm	1550 mm
Thickness deck plate (C)	35 mm	40 mm	50 mm
Depth (D)	1250 mm	1450 mm	1600 mm
Height above deck (E)	395 mm	485 mm	535 mm

WWW.KOOIMANMARINEGROUP.COM

LINDTSEDIJK 84 | 3336LE ZWIJNDRECHT | THE NETHERLANDS | (P) +31 (0)78-6100477